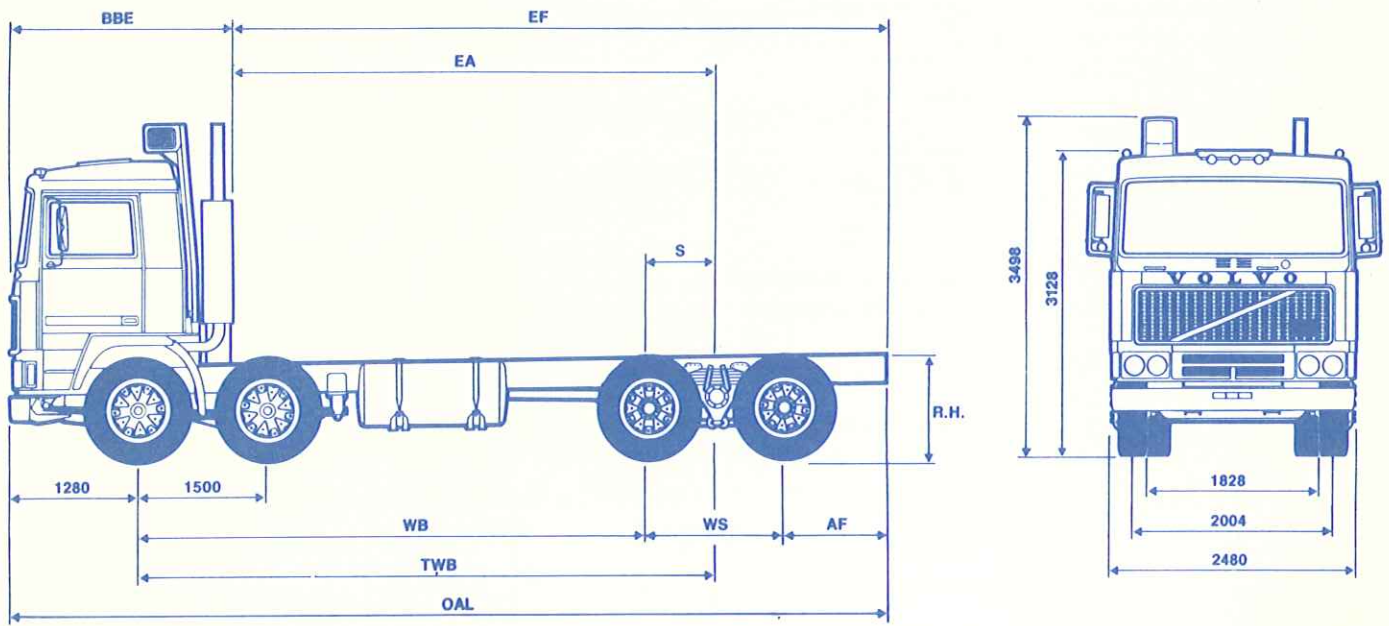


**RATINGS:**

FRONT AXLE:	10000 KG (TECHNICALLY PERMITTED)
REAR AXLE:	18000 KG (TECHNICALLY PERMITTED)
GROSS VEHICLE MASS (GVM):	27000 KG WITH 10.00x20 TYRES
	27000 KG WITH 11Rx22.5 STEEL RADIAL TYRES
GROSS COMBINATION MASS (GCM):	65000 KG WITH CTEV87
	81000 KG WITH CTEV87 AND APPLICATION APPROVAL

NOTE:- AXLE RATINGS ABOVE REFER TO VOLVO AXLES AND SUSPENSIONS.  
RATINGS FOR OTHER AXLES ON APPLICATION.



**CHASSIS DIMENSIONS MM**

		BGT 18
WB	Wheelbase	5200
TWB	Theoretical wheelbase	5885
BBE	Bumper back of exhaust Short Cab (Long Cab)	2138 (2410)
EA	Back of exhaust to axle Short Cab (Long Cab)	5027 (4755)
EF	Back of exhaust to end frame Short Cab (Long Cab)	6840 (6568)
AF	Rear overhang	1128
OAL	Overall length	8978
WS	Wheel spacing	1370
RH	At centre bogie - Laden - Unladen	1001 1056
Turning Circle	Kerb to kerb	20150

**CHASSIS WEIGHTS KG WITH W.B. 5200**

	BGT18
Front axle	5574
Rear bogie	3223
Total chassis weight	8897

**Note** 1. Chassis weight includes: short cab, R62 gearbox, CTEV87 rear axle, 10.00x20 tyres, oil and water, but no fuel or spare wheel.  
2. \*Tare Weights shown are approximate

S = Centre of Axle to load centre of gravity. This calculation is dependent on individual truck tare weight: after optional equipment is fitted and fuel tanks to maximum capacity. This figure should always be calculated in acc. with the salesman's manual.

**ADDITIONAL EQUIPMENT WEIGHT - KG**

		Front	Rear	Total
Fuel Tanks (Full)	5200 w'base	+136	+187	+323



## STANDARD EQUIPMENT

### ENGINE TD101F INTERCOOLER

Six cylinder four stroke direct injection turbo-charged diesel engine fitted with air charge intercooler (exhaust brake) and starting heater are standard. Step type engine governor.

<b>Capacity:</b>	9.6 litres
<b>Bore:</b>	120.6 mm
<b>Stroke:</b>	140 mm
<b>Compression Ratio:</b>	14.3:1
<b>Oil Capacity:</b>	36 litres
<b>Cooling System Capacity:</b>	50 litres
<b>Exhaust:</b>	Single outlet vertical silencer mounted on left side
<b>Air Cleaner:</b>	Dual element type with cyclone pre-cleaner
<b>Economy Speed Range:</b>	1200 to 1800 rpm.

**Net ISO/SAE output:** 220 kw (300 hp metric) @ 2050 rpm

**Net ISO/SAE torque:** 1230 Nm @ 1300 rpm

Net output and torque according to ISO 1585, SAE J1349. Smoke requirements according to ECE Reg 24, U.S. Federal Register, Swedish Norms and Australian Design Rule 30.

### CLUTCH-KF214H

Twin dry plate. Hydraulic with air servo operation.

<b>Total Area:</b>	2650 sq cm
<b>Clutch Plate Diameter:</b>	356 mm
<b>Pressure Plate Diameter:</b>	356 mm

### GEARBOX - R62

Fully synchromesh 8 speed range gearbox, with oil cooler on R.H. side of gearbox.

<b>Oil Capacity:</b>	12.4 litres
<b>Ratios:</b>	1st 10.60:1
	2nd 7.40:1
	3rd 5.20:1
	4th 3.93:1
	5th 2.70:1
	6th 1.89:1
	7th 1.32:1
	8th 1.00:1
	Reverse 4.71:1

Oil cooler standard.

### PROPELLER SHAFT - 1800 SERIES

### AXLE-REAR BOGIE - CTEV87

Volvo single reduction tandem with power divider lock and diff locks in each axle.

<b>Capacity:</b>	26,000 Kg.
<b>Ratios:</b>	4.30 with R62
<b>Oil Capacity:</b>	Front diff. 20 litres
	Rear diff. 9 litres

### CAB - SHORT SLEEPER

**Model:** KH

**Construction:** All steel safety cab with hydraulic tilt to 60°. Fully suspended on coil springs with telescopic shock absorbers. Full sound and thermal insulation.

**Equipment:** Fully sprung driver's and fixed passenger's seats, adjustable steering column, electrically operated two speed wipers with three arms and intermittent switch, dual halogen head lamps, 5 roof marker lights, twin air horns and roof hatch. Fire extinguisher. Driver and passenger lap seat belts fitted.

**Heating & Cooling:** Thermostatically controlled heater and demister as standard equipment.

**Instrumentation:** Electronic speedometer, tachometer, water, temp. gauges. Engine oil and air pressure gauges. Voltmeter and fuel gauge. Warning lamps for high water temp, low water level; low air pressure, low oil pressure, power divider, high beam, cab tilt, blocked air cleaner, starter element, park brake.

**Cab:** Choice of colours: crystal white, Volvo red, chrome yellow, arnhem ivory and soft blue.

**Chassis colour:** Grey

### FRAME - RAM 3

Steel rolled channel section with cold riveted cross members.

<b>Frame Width:</b>	800 mm
<b>Web Height:</b>	273 mm
<b>Web Thickness:</b>	7 mm
<b>Flange Width:</b>	85 mm
<b>Flange Thickness:</b>	13 mm

Aluminium bumper bar.

### WHEELBASES - STANDARD 5200 mm

See option list, for other sizes.

### FUEL TANK

Single aluminium tank, of 390 litres capacity mounted on left side.

### BRAKES - SYSTEM TYPE - K BROMS

**Service:** Compressed air "S" cam with separate circuits for front and rear. Hand control for trailer brakes.

**Parking:** Air operated spring brakes operating on 2nd steer axle and first drive axle.

**Exhaust Brake:** Electro-pneumatic operated by foot switch.

<b>Brake Size:</b>	Front, 413x152 mm
	Rear, 394x203 mm
<b>Brake Area:</b>	Front, 4830 cm <sup>2</sup>
	Rear, 6100 cm <sup>2</sup>
	Total, 10930 cm <sup>2</sup>

<b>Compressor:</b>	Tuflo 700
<b>Capacity:</b>	375 l/min at 2000 rpm
<b>Pressure:</b>	700 kPa
<b>Working Pressure:</b>	650 kPa - 790 kPa
<b>Reservoir Capacity:</b>	1x25 litre, 2x40 litre, 1x50 litre.
	Total 155 litres.

### SUSPENSION - FRONT

Twin front axle non load share design with conventional semi-elliptical leaf springs double acting hydraulic shock absorbers, and hollow rubber springs fitted.

<b>Spring Type:</b>	FFJ-K1
<b>Length:</b>	1st axle, 1650 mm
	2nd axle, 1400 mm
<b>Width</b>	100 mm
<b>No. of leaves:</b>	1st axle, 8
	2nd axle, 8
<b>Capacity:</b>	10,000 kg

### SUSPENSION - REAR BOGIE

Volvo single point inverted with multi-leaf springs on centre pivot trunion, for use with Volvo axles only.

<b>Bogie suspension type:</b>	BGT18
<b>Spring Type:</b>	BFJ-K1
<b>Bogie Capacity:</b>	18000 kg
<b>No. of leaves:</b>	5
<b>Length:</b>	1400 mm
<b>Width:</b>	100 mm

### ELECTRICAL

24 volt system. Four 90 amp/hour 12 volt batteries side mounted on R.H. side chassis with isolation switch. Manual re-set circuit breakers fitted standard.

<b>Alternator:</b>	1300 w (45 amp @ 28 volts)
<b>Battery Capacity:</b>	180 A/hr (at 24 volts)
<b>Starter Motor:</b>	5.5 kw (7.5 hp)

### STEERING

Fully integral power steering recirculating ball and nut.

<b>Steering Wheel Dia:</b>	500 mm
<b>Ratio:</b>	25.5:1
<b>Turns lock to lock:</b>	5.7 (approx)

Front wheel steering lock angle, inner wheel: 50°, inner wheel: 42.5°.

### AXLE - FRONT - FAT 12

Drop forged I Beam with oil filled hubs.

<b>Capacity:</b>	10000 kg
------------------	----------

### WHEELS AND TYRES

Six spoke spider hubs with demountable rims and conventional nylon tyres. 13 off tyres and rims supplied.

<b>Rim Size:</b>	7.50x20
<b>Tyre Size:</b>	10.00x20-14 ply front
	10.00x20-12 ply rear
	10.00x20-14 ply spare

## OPTIONAL EQUIPMENT

### OPTIONAL GEARBOX - SR62

8 speed fully synchromesh range change gearbox with splitter to give 16 forward speeds. Air operated splitter and range control on gear shift knob.

<b>Oil Capacity:</b>	14.7 litres
<b>Ratios:</b>	1st 11.22/9.46:1
	2nd 7.84/6.61:1
	3rd 5.50/4.64:1
	4th 3.93/3.31:1
	5th 2.86/2.41:1
	6th 2.00/1.68:1
	7th 1.40/1.18:1
	8th 1.00/0.84:1
	Reverse 10.29/8.68:1

Provision for rear mounted power take-offs. Oil cooler fitted as standard, on R.H. side of gearbox.

### OPTIONAL REAR AXLE RATIOS

	DIFF. RATIO.
R62/CTEV87	3.78:1
SR62/CTEV87	4.30:1, 4.87:1,

### OPTIONAL CAB - LONG SLEEPER

**Model:** LH

See specification as for short cab, but with sleeper bunk and storage lockers fitted.

### OPTIONAL WHEELBASES

The following WB variants are available as an option:

	4300 mm
	4800 mm
	5600 mm

### OPTIONAL WHEELS AND TYRES

Six spoke spider hubs with demountable rims. 13 off tyres and rims supplied.

<b>Rim Size:</b>	8.25x22.5
<b>Tyre Size:</b>	11R 22.5 tubeless 16 ply

### OPTIONAL ACCESSORIES

Stereo FM/AM radio/cassette player with speakers

Air dryer for brake system

Thermostatic fan

Electric window winder (L.H. side)

Sprung passenger's seat

Head rests, driver & passenger seat

Choice of rear mounted PTO

Keinzle 7 day tachograph

Wardrobe

Exterior sunvisor

Windscreen stone guard

Rest bunk for short sleeper cab

Extra alternator

Choice of rear mudguards with mud flaps fitted.

Deluxe instrument pack

- Engine oil temp gauge

- Gearbox temp gauge

- Diff oil temp gauges

- Pyrometer

Aluminium bull bar

Pneumatic level control for cab (recommended with aerodynamic aids)

Aerodynamic aids for cabs (LH + KH)



## RECOMMENDED RETAIL PRICE LIST - JANUARY 1985

CODE NO.		PRICE	APPROX. WEIGHT
N	STD VEHICLE AS PER SPECIFICATION SHEET	\$109,385.00	8,897 kg

CODE NO.	OPTIONAL EQUIPMENT	PRICE		APPROX. WEIGHT	
		+	-	+	-
	<b>Clutch</b> KF214F standard with SR62	No charge	No charge		
N431C	<b>Optional gearbox</b> Volvo SR62	\$ 978.00		80 kg	
N466B N466E N466H	<b>Optional axle ratios</b> - Volvo 3.78:1 - Volvo 4.30:1 - Volvo 4.87:1	No charge No charge No charge	No charge No charge No charge		
N800B	<b>Optional cab</b> - Long sleeper (LH)	\$ 673.00		80 kg	
N805A N805B N805C N805D N805E	<b>Std. Cab Colour</b> - Crystal White - Volvo Red - Chrome Yellow - Arnhem Ivory - Soft Blue	No charge No charge No charge No charge No charge	No charge No charge No charge No charge No charge		
	<b>Optional Cab Colour</b> - All colours shown on Dulux colour card as optional colours are available in enamel by quoting paint number shown on card	\$ 216.00			
N807A N807B N807C N807D N807E	<b>Chassis Colour</b> - Brown - Black - Red - Grey - Yellow	\$ 190.00 \$ 190.00 \$ 190.00 No charge \$ 190.00	No charge		
N808B N808D N808F N808G N808H N808J N808L N808M N808N N808P N808Q N808R N808T	<b>Paint Application system</b> - Two tone STD colour-enamel (441) - Multi-tone STD colour-enamel (441) - Single tone STD or Opt. colour-Acran (426) - Two tone STD or Opt. colour-Acran (426) - Multi-tone STD or Opt. colour-Acran (426) - Two tone with separate flash - any colour Acran - Single tone metallic (Acran) - Two tone metallic (Acran) - Multi-tone metallic (Acran) - Two tone metallic with separate flash (Acran) - Special colour for chassis - Special colour for chassis, rims, spiders - Special colour for rims and spiders only	\$ 225.00 \$ 542.00 \$ 492.00 \$ 652.00 \$1,004.00 \$1,163.00 \$ 926.00 \$1,007.00 \$1,241.00 \$1,400.00 \$ 190.00 \$ 382.00 \$ 153.00			
N710K N710N N710S	<b>Optional wheelbase</b> - 4300mm - 4800mm - 5600mm	\$ 83.00	\$ 758.00 \$ 672.00	113kg	149 kg 41 kg
N771A	<b>Optional Rims</b> - 8.25 x 22.5 - For use with 11R22.5 radial tyres	\$ 563.00		120 kg	

## RECOMMENDED RETAIL PRICE LIST - JANUARY 1985

CODE NO.	OPTIONAL EQUIPMENT	PRICE		APPROX. WEIGHT	
		+	-	+	-
	<b>Tyre Brands</b> - See separate price list for range available				
	<b>Optional accessories</b>				
N892A	- Aero dynamic kit for short cab	\$1,471.00		33kg	
N892B	- Aero dynamic kit for long cab	\$1,471.00		35kg	
N321A	- Alternator (additional)	\$ 323.00		7kg	
N561A	- Air dryer for brake system	\$ 482.00		20kg	
N874B	- Air conditioning auto temp. control	\$1,035.00		25kg	
N571D	- Air electrical connection for Pig/dog Trailer	\$ 432.00		4kg	
N862B	- Bull bar (aluminium)	\$1,852.00		95kg	
N853A	- Bunk for short cab	\$ 190.00		19kg	
N818B	- Cab (pneumatic) level system for long cab	\$ 315.00		2kg	
N263B	- Fan (thermostatic)	\$ 323.00		7kg	
N859A	- Head rest for drivers seat	\$ 38.00		2kg	
N859B	- Head rest for passenger seat	\$ 38.00		2kg	
N384A	- Instrument pack	\$ 952.00		2kg	
N481C	- PTO Rear BKU6059	\$ 286.00		9kg	
N481D	- PTO Rear BKU6123	\$ 753.00		20kg	
N391B	- Radio/cassette AM/FM stereo with speakers	\$ 573.00		11kg	
N854A	- Seat (sprung) passengers	\$ 129.00		8kg	
N891E	- Sunvisor (exterior)	\$ 236.00		5kg	
N891F	- Stoneguard for windscreen	\$ 214.00		6kg	
N383B	- Tachograph 7 day Keinzle (3 function)	\$ 442.00		1kg	
N899B	- Wardrobe	\$ 52.00		2kg	
N844A	- Window winder (electric) for left hand side	\$ 238.00		2kg	

These prices are recommended only and may be amended by Volvo Australia Pty. Ltd. at any time.

R.S.P. PRICE 68731.01-85

SALES TAX COMPONENT = 12.9% of recommended retail price

Volvo Australia Pty. Ltd.  
(Incorporated in New South Wales)