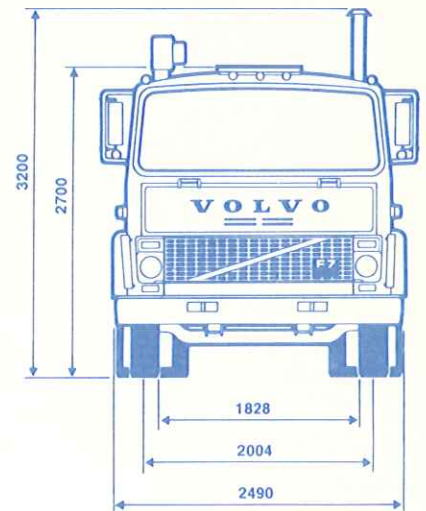
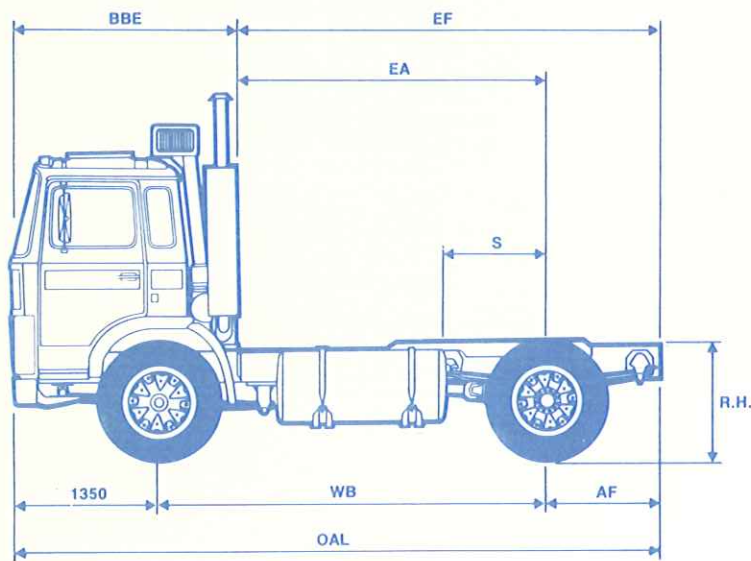


RATINGS:

FRONT AXLE:	6500 KG (TECHNICALLY PERMITTED)
REAR AXLE:	10000 KG (TECHNICALLY PERMITTED)
GROSS VEHICLE MASS (GVM):	14340 KG WITH 10.00x20 TYRES 15000 KG WITH 11Rx22.5 STEEL RADIAL TYRES
GROSS COMBINATION MASS (GCM):	36500 KG WITH R52B/SR62 GEARBOX 32000 KG WITH MT653DR GEARBOX ON APPLICATION APPROVAL



CHASSIS DIMENSIONS MM

	RAEV85	RAEV85	
WB	Wheelbase	3400	5200
BBE	Bumper back of exhaust Short Cab (Long Cab)	2014 (2614)	2014 (2614)
EA	Back of exhaust to centre of bogie Short Cab (Long Cab)	2736 (2136)	4536 (3936)
EF	Back of exhaust to end of frame Short Cab (Long Cab)	3676 (3076)	6714 (6114)
AF	Rear overhang	940	2178
OAL	Overall length	5690	8728
RH	Height at centre bogie - Laden - Unladen	1007 1090	1002 1085
Turning Circle	Kerb to kerb	12900	16600

Note RH to top of turntable "L" profile for WB-3400

S = Centre of Axle to load centre of gravity. This calculation is dependent on individual truck tare weight; after optional equipment is fitted and fuel tanks to maximum capacity. This figure should always be calculated in acc. with the salesman's manual.

CHASSIS WEIGHTS KG

Front axle	3584	3508
Rear Axle	1624	2010
Total chassis weight	5208	5518

Note 1. Chassis weights include R52B gearbox, RAEV 85, 10.00x20 tyres, oil and water, but no fuel or spare wheel.
2. *Tare Weights shown are approximate

ADDITIONAL EQUIPMENT WEIGHT - KG

		Front	Rear	Total
Fuel Tanks (Full)	3400	+151	+172	+323
	5200	+213	+110	+323

STANDARD EQUIPMENT

ENGINE TD70F INTERCOOLER

Six cylinder four stroke direct injection turbo-charged diesel engine fitted with air charge intercooler. Exhaust pressure regulator (exhaust brake) and starting heater are standard. All speed engine governor.

Capacity:	6.7 litres
Bore:	104.77 mm
Stroke:	130 mm
Compression Ratio:	14.5:1
Oil Capacity:	21 litres
Cooling System Capacity:	31 litres
Exhaust:	Single outlet vertical silencer mounted on left side
Air Cleaner:	Dual element type with cyclone pre-cleaner
Economy Speed Range:	1300 to 2100 rpm.

Net ISO/SAE output: 173 kw (235 hp metric) @ 2400 rpm

Net ISO/SAE torque: 825 Nm @ 1400 rpm

Net output and torque according to ISO 1585, SAE J1349. Smoke requirements according to ECE Reg 24, U.S. Federal Register, Swedish Norms and Australian Design Rule 30.

CLUTCH-KF214C

Twin dry plate. Hydraulic clutch control with air servo operation.

Total Area:	2650 sq cm
Clutch Plate Diameter:	356 mm
Pressure Plate Diameter:	356 mm

GEARBOX - R52B

8 speed fully synchromesh range change gearbox.

Oil Capacity:	8.8 litres
Ratios:	
1st	10.18
2nd	7.02
3rd	5.03
4th	3.78
5th	2.69
6th	1.86
7th	1.33
8th	1.00
Reverse	10.01

PROPELLOR SHAFT - 1600 SERIES

AXLE-REAR RAEV85

Single reduction hypoid bevel and helical geared differential with air operated differential lock.

Capacity:	13,000 Kg.
Ratios:	4.25:1
Oil Capacity:	13 litres

CAB - SHORT

Model: KH

Construction: All steel safety cab with hydraulic tilt to 52°. Cab mounted on rubber bushes at front and on coil springs and shock absorbers at rear. Full sound and thermal insulation.

Equipment: Full sprung driver's and fixed passenger's seat; electrically operated two speed wipers and three arms and intermittent switch, halogen head lamps, 5 roof marker lights, single air horn, roof hatch. Fire extinguisher. Lap seat belts fitted standard for driver and passenger.

Heating & Cooling: Thermostatically controlled heater and demister.

Instrumentation: Electronic Speedometer, tachometer, water temperature gauge, voltmeter, engine oil and air pressure gauges, fuel level gauge. Warning lamps for high water temp; low water level; low oil pressure; low air pressure; battery charging; starter element; cab lock; blocked air cleaner; high beam; park brake; direction indicator; and diff. lock.

Finish: Choice of five colours, Crystal white, Volvo red, Chrome yellow, Arnhem ivory, Soft blue.

Chassis colour: Grey

FRAME - RAM 3

Steel rolled channel section with cold rivetted crossmembers.

Frame Width:	800 mm
Web Height:	273 mm
Web Thickness:	7 mm
Flange Width:	85 mm
Flange Thickness:	13 mm

Aluminium bumper bar.

WHEELBASE - STANDARD 3400 mm

See option list, for other sizes.

FUEL TANK

Single aluminium tank, of 390 litres capacity mounted on left side.

BRAKES - SYSTEM TYPE: K-BROMS

Service: Compressed air "S" cam with separate circuits for front and rear. Hand control for trailer brakes.

Parking: Air operated spring brakes operating on drive axle.

Exhaust Brake: Electro-pneumatic operated by foot switch.

Brake Size:	Front, 413x152 mm
	Rear, 394x203 mm
Brake Area:	Front, 2415 cm ²
	Rear, 3050 cm ²
	Total, 5465 cm ²

Compressor:	Tuflo 700
Capacity:	375 l/min at 2000 rpm
Pressure:	700 kPa
Working Pressure:	650 kPa - 790 kPa
Reservoir Capacity:	2x30 litre, 2x25 litre.
	Total 110 litres.

SUSPENSION - FRONT

Parabolic leaf springs with double acting hydraulic shock absorbers, and hollow rubber springs. Anti-roll stabilizer bar.

Spring Type:	FFJ-P2
Length:	1780 mm
Width:	100 mm
No. of leaves:	3
Capacity:	6500 kg

SUSPENSION - REAR

Semi-elliptical conventional leaf spring combined with hollow rubber springs.

Suspension Type:	BAT10
Spring Type:	BFJ-K1
Length:	1410 mm
Width:	100 mm
No. of leaves:	9
Capacity:	10,000 kg

ELECTRICAL

24 volt system. Four 61 amp/hr 12 volt batteries and isolation switch. Manual reset circuit breakers fitted standard.

Alternator:	1300 w (45 amp @ 28 volts)
Battery Capacity:	122 A/hr (at 24 volts)
Starter Motor:	4 kw (5.3 hp)

STEERING

Fully integral power steering recirculating ball and nut.

Steering Wheel Dia:	500
Ratio:	18.6:1
Turns lock to lock:	4.2 (approx)

Front wheel steering lock angle, inner wheel: 50°

AXLE - FRONT - FAT 6.5

Drop forged I Beam with oil filled hubs.

Capacity:	6500 kg
------------------	---------

WHEELS AND TYRES

Six spoke spider hubs with demountable rims and conventional nylon tyres. 7 off tyres and rims supplied.

Rim Size:	7.50x20
Tyre Size:	10.00x20-14 ply front
	10.00x20-12 ply rear
	10.00x20-14 ply spare

OPTIONAL EQUIPMENT

CLUTCH - KF214F STANDARD WITH SR62

Twin dry plate. Hydraulic operation with air servo.

Total facing area:	2650 sq. cm
Clutch Plate Diameter:	356 mm
Pressure Plate Diameter:	356 mm

OPTIONAL GEARBOX - SR62

With splitter to give 16 forward speeds. Air operated splitter and range control on gearshift knob.

Oil Capacity:	14.7 litres
Ratios:	
1st	11.22/9.46
2nd	7.84/9.46
3rd	7.84/6.61
4th	5.50/4.64
5th	2.86/2.41
6th	2.00/1.68
7th	1.40/1.18
8th	1.00/0.84
Reverse	10.29/8.67

OPTIONAL GEARBOX - MT653DR

Automatic Transmission with torque converter Automatic lock up on two highest speeds.

Oil Capacity:	16.5 litres
Ratios:	
1st	8.04
2nd	3.58
3rd	2.09
4th	1.39
5th	5.67
Reverse	5.67

Torque Amplification at Stall = 1.86.

NOTE: Not available on W.B. 3400 mm.

OPTIONAL REAR AXLE RATIOS

	DIFF RATIO.
MT653/RAEV85	4.25:1, 4.63:1
SR62/RAEV85	4.63:1, 5.43:1
R52B/RAEV85	4.63:1

OPTIONAL CAB - LONG SLEEPER

Model: LH

See specification as for short cab, but with sleeper bunk fitted.

OPTIONAL WHEELBASES

The following WB variants are available as an option:

3600 mm
4000 mm
4400 mm * most common choice
4800 mm
* 5200 mm
5600 mm
6000 mm

OPTIONAL FUEL TANK

The choice of sizes is as follows:

270 litre mounted on R.H. side
270 litre mounted on L.H. side

REAR SUSPENSION FOR WB 5200 mm

Semi-elliptical conventional leaf spring with helper spring.

Spring Type:	BFJ-K1D
Length:	Main 1760 mm
	Helper 1300 mm
Width:	100 mm
Capacity:	10,000 kg

OPTIONAL WHEELS AND TYRES

Six spoke spider hubs with demountable one piece rims and steel radial tyres. 7 off tyres and rims supplied.

Rim Size:	8.25x22.5
Tyre Size:	11R 22.5 tubeless 16 ply

OPTIONAL ACCESSORIES

- Stereo FM/AM radio/cassette player with speakers
- Special radiator and intercooler for live hydraulics
- Air dryer for brake system
- Thermostatic fan
- Integrated air conditioning
- Choice of rear mounted PTO
- Choice of side mounted PTO
- Choice of combination PTO/pumps
- Choice of turntables
- Choice of rear mudguards with mudflaps fitted
- Keinzie 7 day tachograph
- Exterior sunvisor (steel)
- Windscreen stone guard
- Tractor air/electrical connection kit for trailer
- Aluminium bullbars

RECOMMENDED RETAIL PRICE LIST - JANUARY 1985

CODE NO.		PRICE	APPROX. WEIGHT
W	STD VEHICLE AS PER SPECIFICATION SHEET	\$60,442.00	5,208 kg

CODE NO.	OPTIONAL EQUIPMENT	PRICE		APPROX. WEIGHT	
		+	-	+	-
	Clutch - KF214F standard with SR62	No charge	No charge		
W431C W437F	Optional gearbox - Volvo SR62 - Allison MT653 DR automatic	\$1,474.00 \$8,319.00		165 kg 10 kg	
W466D W466G W466K	Optional axle ratios - Volvo 4.25:1 - Volvo 4.63:1 - Volvo 5.43:1	No charge No charge No charge	No charge No charge No charge		
W800B	Optional cab - Long sleeper (LH)	\$1,340.00		155 kg	
W805A W805B W805C W805D W805E	Std. Cab Colour - Crystal White - Volvo Red - Chrome Yellow - Arnhem Ivory - Soft Blue	No charge No charge No charge No charge No charge	No charge No charge No charge No charge No charge		
	Optional Cab Colour - All colours shown on Dulux colour card as optional colours are available in enamel by quoting paint number shown on card	\$ 216.00			
W807A W807B W807C W807D W807E	Chassis Colour - Brown - Black - Red - Grey - Yellow	\$ 190.00 \$ 190.00 \$ 190.00 No charge \$ 190.00	No charge		
W808B W808D W808F W808G W808H W808J W808L W808M W808N W808P W808Q W808R W808T	Paint Application System - Two tone STD colour-enamel (441) - Multi-tone STD colour-enamel (441) - Single tone STD or Opt. colour-Acran (426) - Two tone STD or Opt. colour-Acran (426) - Multi-tone STD or Opt. colour-Acran (426) - Two tone with separate flash - any colour Acran - Single tone metallic (Acran) - Two tone metallic (Acran) - Multi-tone metallic (Acran) - Two tone metallic with separate flash (Acran) - Special colour for chassis - Special colour for chassis, rims, spiders - Special colour for rims and spiders only	\$ 225.00 \$ 542.00 \$ 492.00 \$ 652.00 \$1,004.00 \$1,163.00 \$ 926.00 \$1,007.00 \$1,241.00 \$1,400.00 \$ 190.00 \$ 382.00 \$ 153.00			
W710F W710H W710L W710N W710Q W710S W710U	Optional wheelbase - 3600 - 4000 - 4400 - 4800 - 5200 - 5600 - 6000	\$ 378.00 \$ 896.00 \$1,006.00 \$1,037.00 \$1,709.00 \$1,779.00 \$1,848.00		68 kg 111 kg 145 kg 191 kg 244 kg 276 kg 575 kg	

RECOMMENDED RETAIL PRICE LIST - JANUARY 1985

CODE NO.	OPTIONAL EQUIPMENT	PRICE		APPROX. WEIGHT	
		+	-	+	-
W234A W234B W234C	Optional fuel tanks 270 litre mounted LH side - 270 litre RH side - 2 x 270 litre mounted on LH side and RH side	\$ 63.00 \$1,280.00 \$1,280.00		56kg 50kg	6kg
W655N	Optional rear suspension - Volvo BFJ-K1D Standard on 5200mm + Wheel Bases	No charge	No charge	67kg	
W771A	Optional Rims - 8.25 x 22.5 - For use with 11R22.5 radial tyres	\$ 235.00		60kg	
	Tyre Brands - See separate price list for range available				
W874A W561A W571A W571B W571C W862F W263A W826A W826B W826C W481A W481B W481C W481D W481L W481N W481Q W481J W481H W269B W391A W891B W891C W383B W992A W992B W992C W269F	Optional Accessories - Air conditioning integrated - Air dryer for brake system - Air electrical kit - Pogo + push on connectors - Air electrical kit - Pogo + gladhand connectors - Air electrical kit - Mounted behind turntable - Bull bar aluminium - Fan thermostatic - Mudguards (rear) plastic + mudflaps - tractor only - Mudguards (rear) Aluminium + mudflaps - tractor only - Mudguards (rear) ¼ aluminium + mudflaps - PTO Rear BKU5048 (for R52) - PTO Rear BKU5085 (for R52) - PTO Rear BKU6059 (for SR62) - PTO Rear BKU6123 (for SR62) - PTO Side SKU5063 (for R52) - PTO Side SKU6077 (for SR62) - PTO Side SKMT124 (for MT653) - PTO Rear/Pump BKUH6039 (for SR62) - PTO Rear/Pump BKUH6058 (for SR62) - Radiator (special) and intercooler for live hydraulics - Radio Cassette AM/FM with speakers - Sunvisor exterior (steel) - Stoneguard for windscreen - Tachograph Keinzle 7 day (3 function) - Turntable Holland HAP40 - Turntable Franklin Ballrace - Turntable Carrimore Top "C" - Insect screen for Radiator/Intercooler	\$1,035.00 \$ 482.00 \$ 398.00 \$ 396.00 \$ 176.00 \$1,852.00 \$ 323.00 \$ 935.00 \$ 962.00 \$ 498.00 \$ 292.00 \$ 693.00 \$ 286.00 \$ 753.00 \$ 403.00 \$ 403.00 \$ 876.00 \$1,310.00 \$1,371.00 \$ 607.00 \$ 573.00 \$ 167.00 \$ 214.00 \$ 442.00 \$1,798.00 \$3,695.00 \$1,522.00 \$ 120.00		25kg 20kg 7kg 7kg 3kg 75kg 3kg 30kg 38kg 11kg 9kg 13kg 9kg 20kg 11kg 11kg 17kg 30kg 30kg 11kg 9kg 4kg 1kg 240kg 358kg 115kg	

These prices are recommended only and may be amended by Volvo Australia Pty. Ltd. at any time.

R.S.P. PRICE 68726.01-8

SALES TAX COMPONENT = 12.9% of recommended retail price

Volvo Australia Pty. Ltd.
(Incorporated in New South Wales)