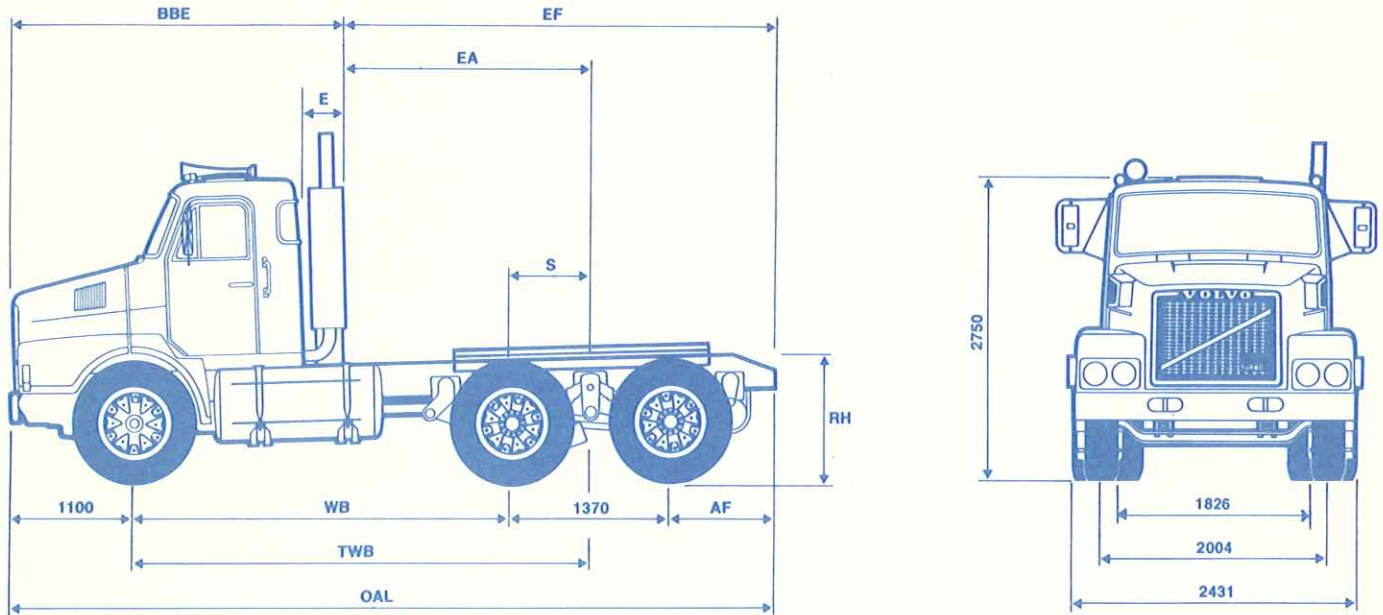


RATINGS:

FRONT AXLE:	6500 KG (TECHNICALLY PERMITTED)
REAR AXLE:	18150 KG (TECHNICALLY PERMITTED)
GROSS VEHICLE MASS (GVM):	23000 KG WITH 10.00x20 TYRES
	23000 KG WITH 11Rx22.5 STEEL RADIAL TYRES
GROSS COMBINATION MASS (GCM):	44000 KG


CHASSIS DIMENSIONS MM

		R102W (TRACTOR)
WB	Wheelbase	3800
TWB	Theoretical Wheelbase	4460
BBE	Bumper back of exhaust	2974
E	Back of cab to back of exhaust	374
EA	Back of exhaust to C.L. bogie	2586
EF	Back of exhaust to end frame	4151
AF	Rear overhang	905
OAL	Overall length	7125
RH	At centre bogie - Laden - Unladen	992 1042
Turning Circle	Kerb to kerb	21700

Note RH to top of turntable "T" profile for WB 3800 mm + 5800 mm

S = Centre of Axle to load centre of gravity. This calculation is dependent on individual truck tare weight: after optional equipment is fitted and fuel tanks at maximum capacity. This figure should always be calculated in acc. with the salesman's manual.

CHASSIS WEIGHTS KG

	R102W
Front axle	3722
Rear bogie	2790
Total chassis weight	6692

Note 1. Chassis weight includes: cab, R62 gearbox, CTEV 87 axles, 10.00x20 tyres, oil, water, but no fuel or spare wheel.
2. *Tare Weights shown are approximate

ADDITIONAL EQUIPMENT WEIGHT - KG

	Front	Rear	Total
Fuel Tanks (Full) (390 litres) 3800 w'base	+217	+106	+323

STANDARD EQUIPMENT

ENGINE TD101G

Six cylinder four stroke direct injection turbo-charged diesel engine fitted with exhaust pressure regulator (exhaust brake) and starting heater standard. Step type engine governor.

Capacity:	9.6 litres
Bore:	120.6 mm
Stroke:	140 mm
Compression Ratio:	14.3:1
Oil Capacity:	36 litres
Cooling System Capacity:	50 litres
Exhaust:	Single outlet vertical silencer mounted on left side
Air Cleaner:	Dual element type with cyclone pre-cleaner
Economy Speed Range:	1200 to 1900 rpm.

Net ISO/SAE output: 202 kw (275 hp metric) @ 2200 rpm

Net ISO/SAE torque: 1080 Nm @ 1300 rpm

Net output and torque according to ISO 1585, SAE J1349. Smoke requirements according to ECE Reg 24, US Federal Register, Swedish Norms and Australian Design Rule 30.

CLUTCH-KF214F

Twin dry plate. Hydraulic with air servo operation.

Total Area:	2650 sq cm
Clutch Plate Diameter:	356 mm
Pressure Plate Diameter:	356 mm

PROPELLER SHAFT - 1800 SERIES

GEARBOX - R62

Fully synchromesh 8 speed range gearbox.

Oil Capacity:	12.4 litres
Ratios:	1st 10.60:1
	2nd 7.40:1
	3rd 5.20:1
	4th 3.93:1
	5th 2.70:1
	6th 1.89:1
	7th 1.32:1
	8th 1.00:1
	Reverse 9.71:1

Oil cooler standard, on R.H. side of gearbox.

AXLE-REAR DRIVE RAEV85

Single reduction hypoid bevel and helical geared differential with air operated diff. lock.

Capacity:	13000 Kg.
Ratios:	3.78:1
Oil Capacity:	13 litres

AXLE-REAR LAZY

Rockwell lazy axle beam with Volvo brakes fitted.

Capacity: 9350 kg.

CAB - 1500 MARK II

Model: MH

Construction: Insulated, steel, three man cab. Impact tested with non-burst doors and tilting fibreglass bonnet/fender unit. Laminated windscreen. Fully sprung, adjustable driver's seat. Thermostat controlled heater/demister, opening quarter vents and roof vent. Intermittent two speed wipers, single air horn, 4 marker lamps. Fire extinguisher. Radio and C.B. antennae bases and leads fitted to cab roof. Lap seat belts.

Instrumentation: Electronic speedometer, tachometer, fuel and water temperature gauges, engine oil and air pressure gauges, voltmeter. Warning lamps for high water temp, low water level; low air pressure; low oil pressure; diff lock; high beam; blocked air cleaner; starter element; park brake.

Cab: Choice of colours, crystal white, Volvo red, chrome yellow, arnhem ivory, soft blue.

Chassis colour: Grey

FRAME - RAM 3

Steel rolled channel section with cold rivetted crossmembers. Taper frame ends on tractor units.

Frame Width:	800 mm
Web Height:	273 mm
Web Thickness:	7 mm
Flange Width:	85 mm
Flange Thickness:	13 mm

WHEELBASE - STANDARD 3800 mm

See option list, for other sizes.

FUEL TANK

Single aluminium tank, of 390 litres capacity mounted on L.H. side. Aluminium cab steps mounted off fuel tank.

BRAKES - SYSTEM TYPE: K-BROMS

Service: Compressed air "S" cam with separate circuits for front and rear. Hand control for trailer brakes.

Parking: Air operated spring brakes operating on steering axle and driving axle.

Exhaust Brake: Electro-pneumatic operated by foot switch.

Brake Size:	Front, 413x152 mm
	Rear, 394x203 mm
Brake Area:	Front, 2415 cm ²
	Rear, 6100 cm ²
	Total, 8515 cm ²

Compressor:	Tuflo 700
Capacity:	375 l/min @ 2000 rpm
Pressure:	700 kPa
Working Pressure:	650 kPa - 790 kPa
Reservoir Capacity:	4x25 litre, 1x30 litres.
	Total 130 litres.

SUSPENSION - FRONT

Parabolic leaf springs with shock absorbers and hollow rubber springs. Anti-roll stabilizer bar.

Spring Type:	FFJ-P2
Length:	1750 mm
Width:	100 mm
No. of leaves:	3
Capacity:	6500 kg

SUSPENSION - REAR BOGIE

Reyco 4 spring with centre rocker; four torque rods; (two each axle).

Model:	R102W
Spring Length:	1000 mm
Width:	76 mm
Leaves/thickness:	13x10 mm
Capacity:	18150 kg

ELECTRICAL

24 volt system. Four 90 amp/hour 12 volt batteries side mounted on R.H. side chassis with isolation switch. Manual reset circuit breakers fitted standard.

Alternator:	1300 w (45 amp @ 28 volts)
Battery Capacity:	180 A/h (at 24 volts)
Starter Motor:	5.5 kw (7.5 hp)

STEERING

Fully integral power steering recirculating ball and nut.

Steering Wheel dia:	500 mm
Ratio:	22.7:1
Turns lock to lock:	5.2 (approx)

Front wheel steering lock angle, inner wheel: 50°.

AXLE - FRONT - FAT 6.5

Drop forged I Beam with oil filled hubs.

Capacity: 6500 kg

WHEELS AND TYRES

Six spoke spider hubs with demountable rims, and nylon conventional tyres. 11 off tyres and rims supplied.

Rim Size:	7.50x20
Tyre Size:	10.00x20-14 ply front
	10.00x20-12 ply rear
	10.00x20-14 ply spare

OPTIONAL EQUIPMENT

OPTIONAL GEARBOX - SR62

8 speed fully synchromesh range change gearbox with splitter to give 16 forward speeds. Air operated splitter and range control on gearshift knob.

Oil Capacity:	14.7 litres
Ratios:	1st 11.22/9.46:1
	2nd 7.84/6.61:1
	3rd 5.50/4.64:1
	4th 3.93/3.31:1
	5th 2.86/2.41:1
	6th 2.00/1.68:1
	7th 1.40/1.18:1
	8th 1.00/0.84:1
	Reverse 10.29/8.68:1

Provision for rear mounted power take-offs. Oil cooler fitted as standard.

OPTIONAL REAR AXLE RATIOS

	DIFF. RATIO.
SR62/RAEV85	4.25:1, 4.63:1
R62/RAEV85	4.25:1

OPTIONAL WHEELBASES

The following WB variants are available as an option:

3400 mm
4000 mm
4200 mm *most common choice

OPTIONAL FUEL TANK

The choice of sizes are as follows:
390 litre mounted on R.H. side.

OPTIONAL WHEELS AND TYRES

Six spoke spider hubs with demountable rims and steel radial pattern tyres. 11 off tyres and rims supplied.

Rim Size:	8.25x22.5
Tyre Size:	11R 22.5 tubeless 16 ply.

OPTIONAL ACCESSORIES

Thermostatic fan
Stereo FM/AM radio/cassette player with speakers
Choice of rear mounted P.T.O.
Choice of combination P.T.O./Pumps
Choice of turntables for tractors
Tractor air/electrical connection kit for trailers
Choice of rear mudguards with mudflaps fitted
Air dryer for brake system
Keinze 7 day tachograph
Exterior sunvisor
Windscreen stoneguard
Aluminium of bull bar
Integrated air conditioning (red dot)

RECOMMENDED RETAIL PRICE LIST - JANUARY 1985

CODE NO.		PRICE	APPROX. WEIGHT
F	STD VEHICLE AS PER SPECIFICATION SHEET	\$75,302.00	6,692 kg

CODE NO.	OPTIONAL EQUIPMENT	PRICE		APPROX. WEIGHT	
		+	-	+	-
F431C	Optional gearbox - Volvo SR62	\$ 978.00		80 kg	
F466D F466G	Optional axle ratios - Volvo 4.25:1 - Volvo 4.63:1	No charge No charge	No charge No charge		
F805A F805B F805C F805D F805E	Std. Cab Colour - Crystal White - Volvo Red - Chrome Yellow - Arnhem Ivory - Soft Blue	No charge No charge No charge No charge No charge	No charge No charge No charge No charge No charge		
	Optional Cab Colour - All colours shown on Dulux colour card as optional colours are available in enamel by quoting paint number shown on card	\$ 216.00			
F807A F807B F807C F807D F807E	Chassis Colours - Brown - Black - Red - Grey - Yellow	\$ 190.00 \$ 190.00 \$ 190.00 No charge \$ 190.00	No charge		
F808B F808D F808F F808G F808H F808J F808L F808M F808N F808P F808Q F808R F808T	Paint Application System - Two tone STD colour-enamel (441) - Multi-tone STD colour-enamel (441) - Single tone STD or Opt. colour-Acran (426) - Two tone STD or Opt. colour-Acran (426) - Multi-tone STD or Opt. colour-Acran (426) - Two tone with separate flash - any colour Acran - Single tone metallic (Acran) - Two tone metallic (Acran) - Multi-tone metallic (Acran) - Two tone metallic with separate flash (Acran) - Special colour for chassis - Special colour for chassis, rims, spiders - Special colour for rims and spiders only	\$ 225.00 \$ 542.00 \$ 492.00 \$ 652.00 \$1,004.00 \$1,163.00 \$ 926.00 \$1,007.00 \$1,241.00 \$1,400.00 \$ 190.00 \$ 382.00 \$ 153.00			
F710E F710H F710J	Optional wheelbase - 3400 mm - 4000 mm - 4200 mm	\$ 240.00 \$ 897.00 \$ 930.00		75 kg 105 kg	28 kg
F234E	Optional fuel tank - 390 litre RH side (Option F313B or F313C to be used)	\$1,337.00		68 kg	
F313B F313C	Optional Battery Box - Mounted across chassis - Mounted outboard R.H. side chassis, to rear of fuel tank	\$ 23.00 \$ 23.00		4 kg TBA	
F771A	Optional Rim - 8.25 x 22.5 - For use with 11R22.5 radial tyres	\$ 469.00		100 kg	
	Tyre Brands - See separate price list for range available				

RECOMMENDED RETAIL PRICE LIST - JANUARY 1985

CODE NO.	OPTIONAL EQUIPMENT	PRICE		APPROX. WEIGHT	
		+	-	+	-
	Optional Accessories				
F561A	- Air dryer for brake system	\$ 482.00		20kg	
F571A	- Air/electrical kit Pogo + push on connectors	\$ 398.00		7kg	
F571B	- Air/electrical kit Pogo + gladhand connectors	\$ 396.00		7kg	
F571C	- Air electrical kit mounting with connectors behind turntable	\$ 176.00		3kg	
F862D	- Bull bar (aluminium)	\$1,852.00		84kg	
F263B	- Fan (thermostatic)	\$ 323.00		7kg	
F826A	- Mudguards (rear) plastic + mudflaps for tractor only	\$1,393.00		62kg	
F826B	- Mudguards (rear) aluminium + mudflaps for tractor only	\$1,522.00		79kg	
F826C	- Mudguards (rear) ¼ aluminium + mudflaps	\$ 747.00		11kg	
F481C	- PTO Rear BKU6059	\$ 286.00		9kg	
F481D	- PTO Rear BKU6123	\$ 753.00		20kg	
F481G	- PTO Rear pump BKUH6039	\$1,310.00		30kg	
F481G	- PTO Rear pump BKUH6058	\$1,371.00		30kg	
F391D	- Radio/cassette AM/FM with speakers	\$ 712.00		11kg	
F891G	- Sunvisor (exterior)	\$ 167.00		9kg	
F891H	- Stoneguard for windscreen	\$ 214.00		4kg	
F383B	- Tachograph 7 day Keinzle (3 function)	\$ 442.00		1kg	
F922A	- Turntable Holland HAP40	\$1,798.00		240kg	
F922B	- Turntable Franklin Ball Race	\$3,695.00		358kg	
F922C	- Turntable Carrimore Top "C"	\$1,522.00		115kg	
F874C	- Integrated air conditioning (Red Dot)	\$1,035.00			

These prices are recommended only and may be amended by Volvo Australia Pty. Ltd. at any time.

R.S.P. PRICE 60270.01-85

SALES TAX COMPONENT = 12.9% of recommended retail price

Volvo Australia Pty. Ltd.
(Incorporated in New South Wales)